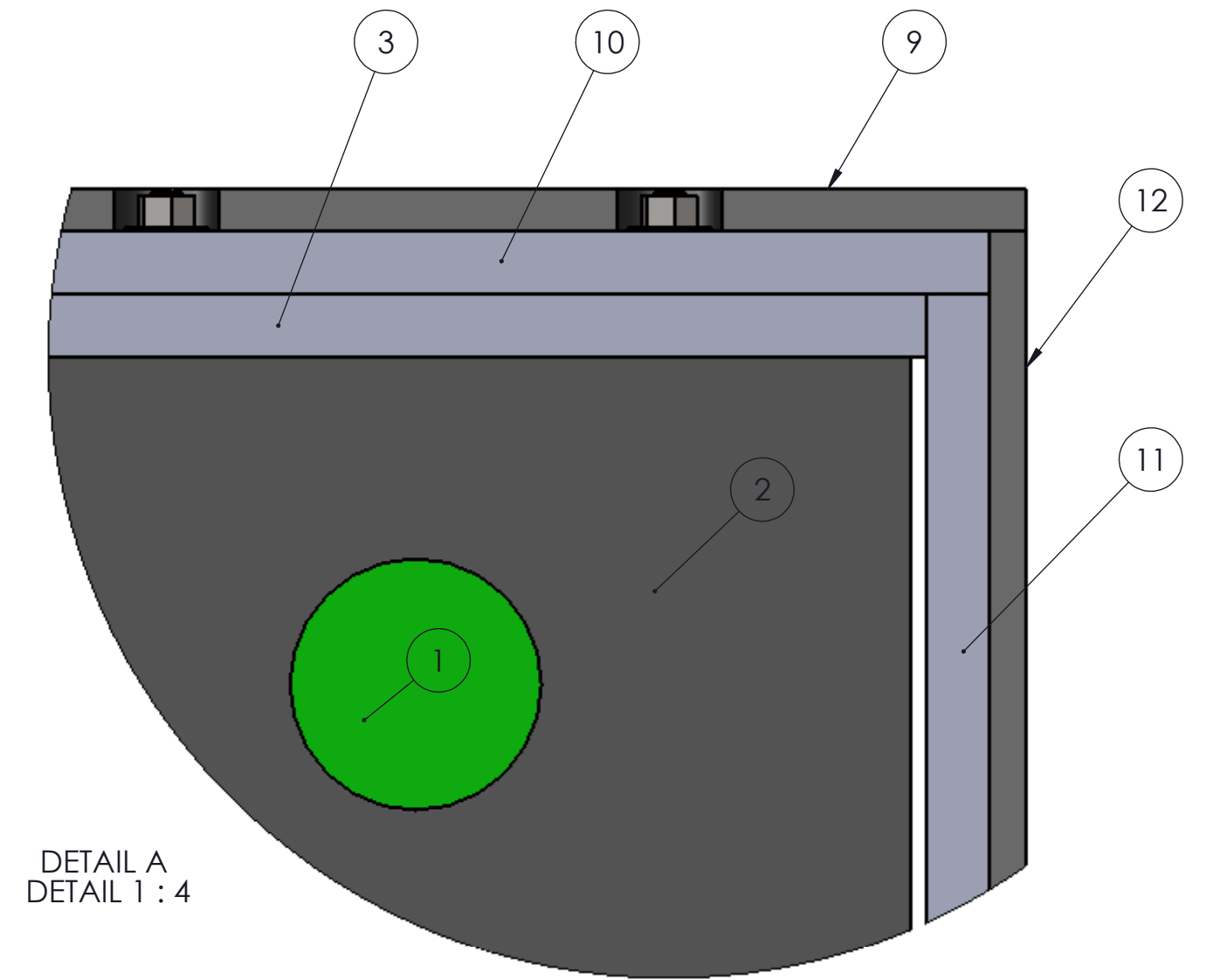
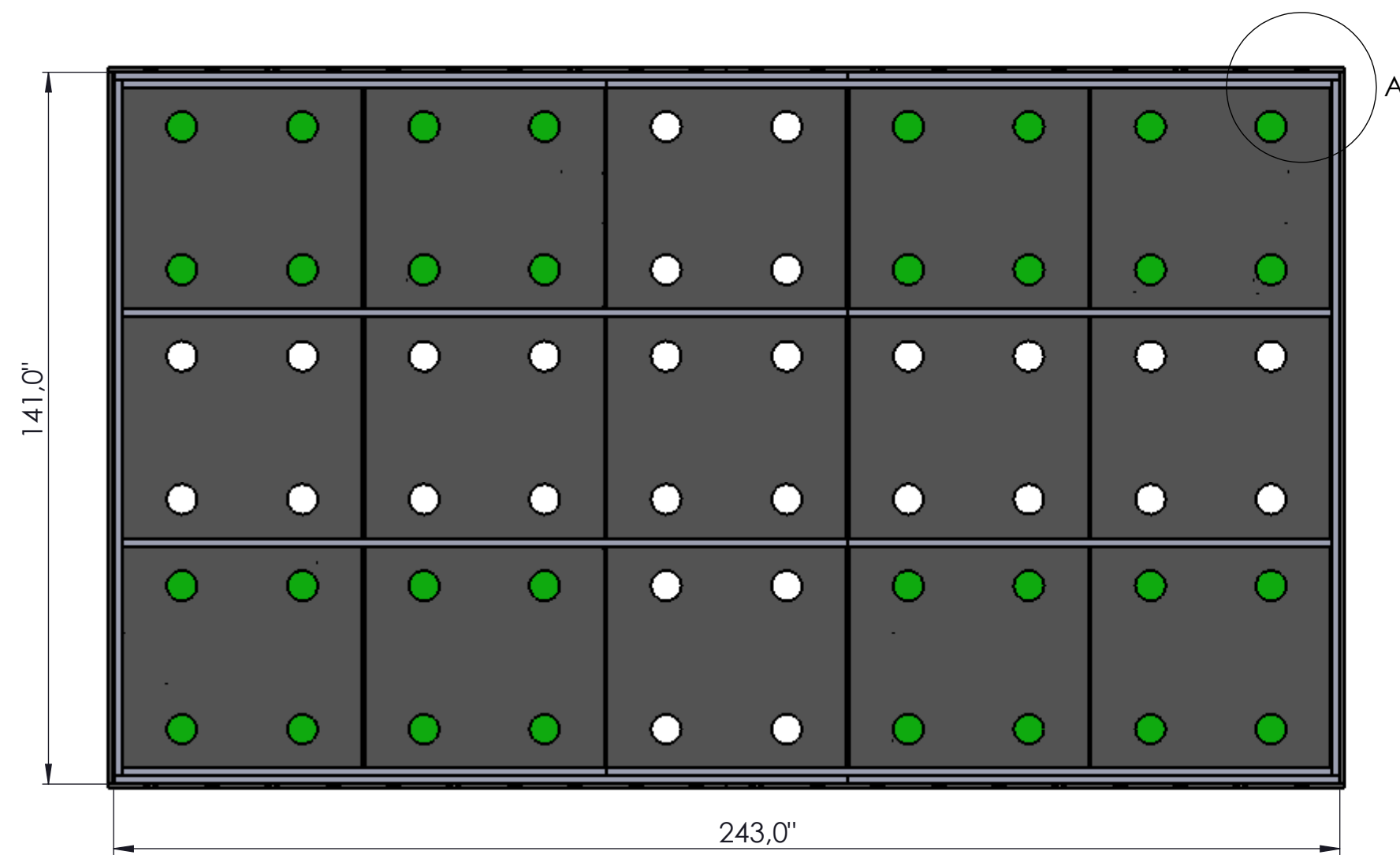


NOTE: Decking not shown for clarity

ID	PIECE	DESCRIPTION	QUANTITY
1	GDMS-13-FUS-032-044-095	Float	4
2	GDMS-13-MD-05.5-044-047	Structural Module	15
3	GDMS-13-DW-002-010-144	12' Whaler	4
4	GDMS-13-DW-002-010-096	8' Whaler	4
5	GDMS-13-HN-0.75-1.44-0.73	Nuts	40
6	GDMS-13-NW-0.81-002-00.1	Washers	40
7	GDMS-14-DW-002-010-145.5	12' Whaler	2
8	GDMS-14-FCR-0.75-142.9	Rod	20
9	GDMS-13-RB-1-6-122.5	Rub Strips	4
10	GDMS-14-DW-002-010-97.5	8' Whaler - Long	2
11	GDMS-14-DB-002-010-138	End Piece	2
12	GDMS-14-RB-1-6-141	Rub Strip	2



DETAIL A  
DETAIL 1 : 4

				Drawn/Date <b>September 27, 2014</b>	Client Name: Configurations	Global Dock & Marina Systems LLC. 233 33 <sup>rd</sup> Ave. North St. Petersburg, Florida 33704 Tel 1-800-420-9648
				Apprd./Date <b>September 27, 2014</b>		
Rev.	Description	By/Date	C.O. #	Design by: D.A.R.	Client Approval:	Description: Configuration C1 - Corner Detail
	<b>PROPRIETARY DESIGN</b>			Drawn by: D.A.R.		Scale: <b>1:30</b>
				Approve by: A.A.F.		Part No. Blue-Dock Floating Dock System